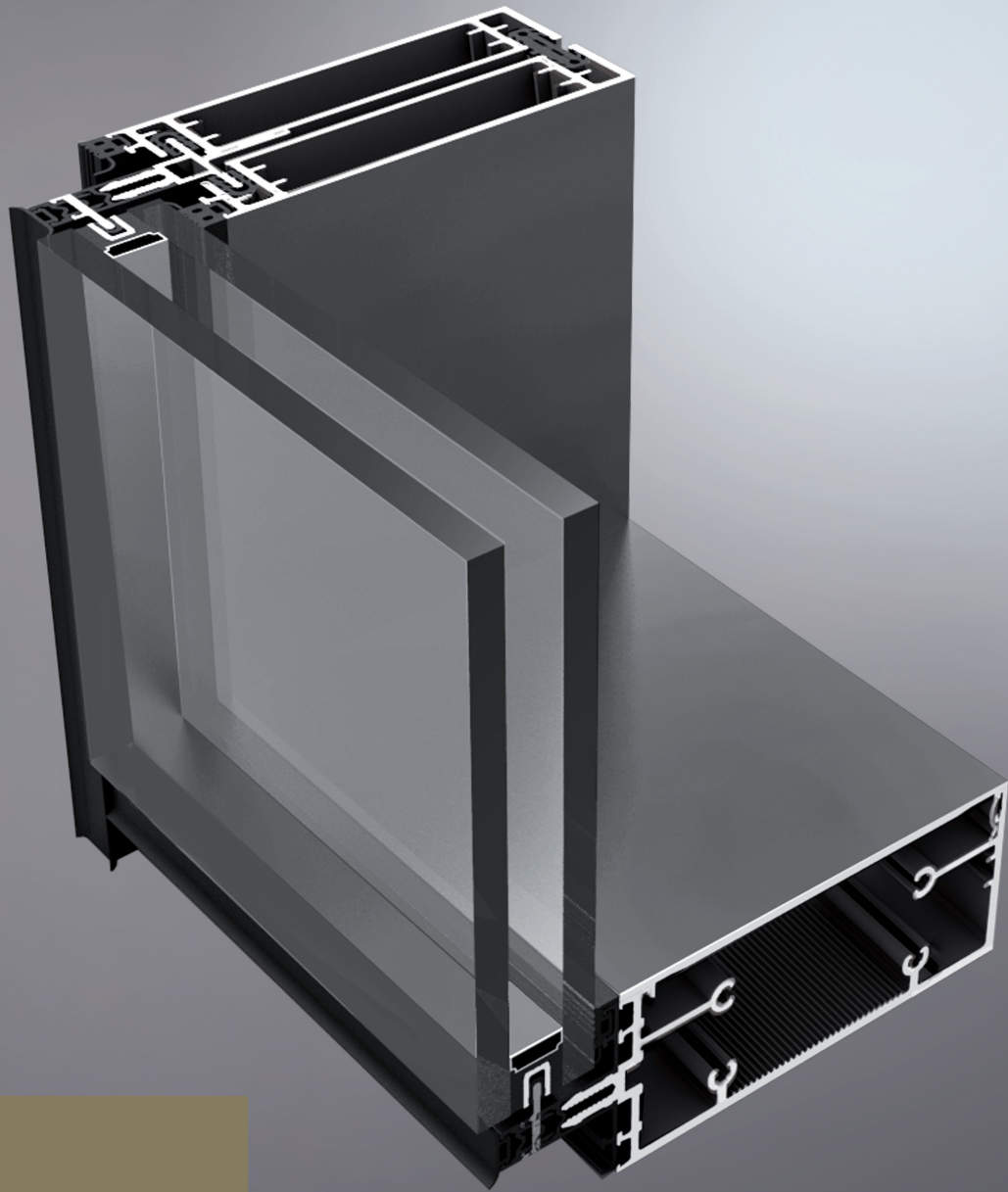




# GUTMANN F50++

Curtain Wall Split System



**GUTMANN**  
New dimensions  
offer new  
perspectives

**ALUMINUM** SHAPED BY GUTMANN



A photograph of a modern building's exterior featuring a long, continuous glass curtain wall. The building is situated on a wooden deck. The glass reflects the sky and the surrounding urban landscape. The sky is a clear, deep blue. The building's structure is dark, and the glass is framed by dark metal. The wooden deck is made of dark, weathered planks. The overall scene is clean, modern, and architectural.

## GUTMANN F50++ SPLIT ALUMINUM FACADE

Innovative technology at its peak, with greater design and constructive flexibility

The GUTMANN Curtain Wall Split System fulfills all the architectural requirements. GUTMANN provides an innovative system solution with a competitive edge in technology and cost-effectiveness.

The GUTMANN Curtain Wall Split System F50++ provides high-quality products, fast installation, simplified fabrication, superior performance, and design flexibility.



## SYSTEM DESCRIPTION

- › Narrow 2" (50mm) sightline
- › The system is outside pressure glazed, available with captured or SSG, and 2 way structural glazing
- › The straight cutting of this system features no transom profile notching resulting in minimal off-cuts, as well as efficient manufacturing and installation
- › Various system depths to suit most design and load requirements
- › Identical widths of inner glass gaskets at mullions and transoms
- › Controlled drainage and ventilation system via a special transom gasket
- › Glass Option of  $1\frac{5}{16}" - 2\frac{1}{2}"$  (24mm - 65mm) insulating glass and  $\frac{3}{8}" - \frac{7}{8}"$  (10mm - 22mm) for single glazed
- › Maximum glass loads up to 400 - 730 kg, depending on wind loads
- › Corner mullions available
- › Different colour options are available
- › Proprietary gasket supplied improves thermal performance
- › Tested to AAMA and ASTM standards

Our in-house design assistance, engineering, and manufacturing ensure maximum efficiency throughout the entire process.

## SYSTEM PROPERTIES



### Air Infiltration

**ASTM E283/E283M-19**

0.01 cfm/ft<sup>2</sup> @ 6.24 PSF (300Pa)



### Structural Performance

**ASTM E330**

up to +/-60 PSF (+/-2880Pa)



### Water Penetration

**ASTM E331-00 AAMA 501.1-17**

#### DYNAMIC

15 PSF (720Pa)

#### STATIC

15 PSF (720Pa)



### Thermal Transmittance (U-Factor)

**NFRC 100**

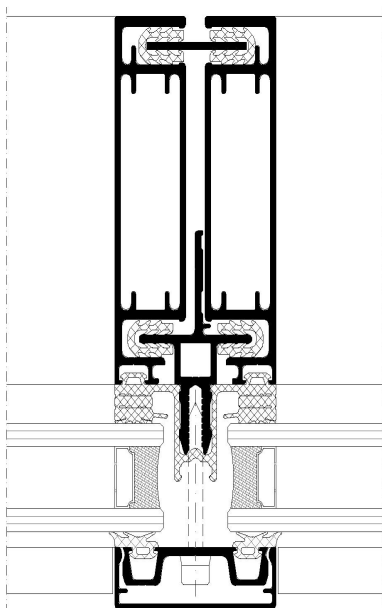
0.18 (DG)-COG-0.10 with Aluminum Spacer

This value may vary according to glass choice, framing configuration, and spandrel to vision ratios.

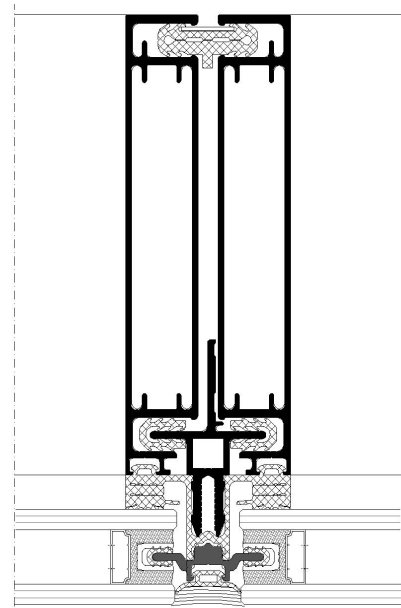
## OPTIONAL FEATURES

- › Split system has heavy-weight mullion available  $2" \times 6\frac{1}{8}"$  (50mm x 155mm) system integrates with standard GUTMANN windows and doors.

## SYSTEM CROSS-SECTION



Capped Mullion



Structurally Glazed Mullion



**GUTMANN**  
Innovative  
technology  
at the  
highest level

**BECOME A GUTMANN PARTNER AND  
ENJOY THE FOLLOWING ADVANTAGES:**

- › Many years of experience and expertise in façade business
- › We offer you everything from a single source: structural engineering advice in design and planning phase of a building, as well as support in the implementation of existing system technology with special system-based solutions
- › Top quality products are our trademark and basis of our reputation
- › High storage capacity and efficient logistics ensure fast and punctual delivery
- › Maximum customer benefit characterized by a successful combination of sophisticated design, certified safety, and sustainable profitability



**GUTMANN NORTH AMERICA**  
Suite 200, 2020 Winston Park Dr  
Oakville, ON, L6H 6X7, Canada  
T: (416) 488 6266

[www.gutmann-na.com](http://www.gutmann-na.com)